

# WET & DRY VACUUM CLEANER

■ STOCK No. 29346 230V ■ PART No. WDV1100.  
63474 110V.

## SPARE PARTS LISTING

05/2001

KEY No.	PART No.	STOCK No.	DESCRIPTION
011	V905335AK15	66097	Power cable 110V
011	V905280AK15	29711	Power cable 230V
012	V901A11AA89	29712	Screw
013	V101035AK00	29713	Cable clamp
016	V901A19AA89	29714	Screw
017	V901D07AG87	55086	Washer
018	V905217A000	29722	Terminal
026	V905270A000	29729	On/Off Switch
035	V901A16AA89	29716	Screw
042	V905266A000	29718	Cable
043	V905267A000	29719	Automatic switch board
044	V920056A000	29720	Rubber ring
053	V521029AK13	55093	Plate
054	V905279AK15	29725	230V Socket
055	V901A20AA89	29726	Screw
056	V905277A000	29727	Auto/Manual Switch
057	V905278AK15	29728	Frame with cover
059	V905337AK44	66099	Socket
073	V905331AR00	66100	Automatic switch board
123	V905397A000	66101	O ring
147	V521029AH13	55093	Complete socket 230V
148	V521029AB13	66102	Complete socket 110V
200	V521001BK46	66104	Cover/Handle complete
201	V521001AK46	32841	Cover with handle
202	V920021AB00	29731	Cover gasket
203	V902033A000	66105	Cover sound proofing
204	V901D04AN00	66180	Bush
205	V521002AK46	29733	Cover with baffle
206	V902048A000	29734	Side sound proofing
209	V920041A000	29735	Motor gasket 230V
209	V920042A000	66181	Motor gasket 110V
210	V920039A000	29736	Chamber motor gasket
212	V918M54A02D	66182	Motor 230V
212	V918M56A02U	66183	Motor 110V
213	V905264A000	55091	Carbon brush 230V
213	V905317A000	66184	Carbon brush 110V
216	V902036A075	29740	Motor sound proofing
217	V521003AK46	29741	Motor cover
218	V902032AA00	29742	Motor filter
219	V920038A000	29743	Vat gasket
220	V521010AK00	29744	Ballcock
222	V521007AK13	29745	Ballcock crate
224	See Draper Catalogue		Cartridge filter set
225	V521008AK13	29747	Filter bracket
226	V521009AK13	29748	Filter knob
227	See Draper Catalogue		Cloth-dry dust filter bag
227	See Draper Catalogue		Nylon-wet & dry dust filter bag

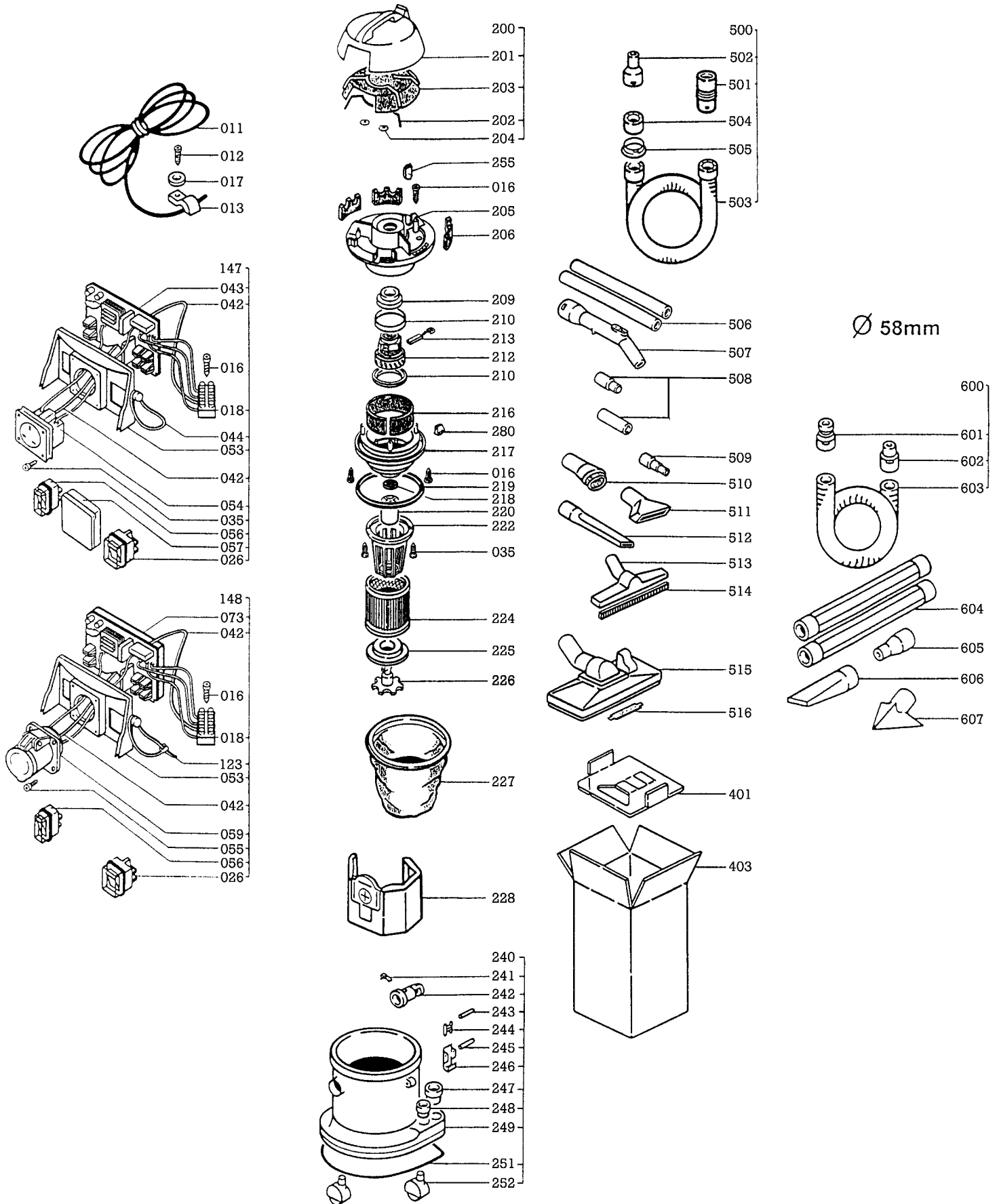
KEY No.	PART No.	STOCK No.	DESCRIPTION
228	See Draper Catalogue		Paper-dust bag
240	V521015AK46	29751	Vat set
241	V521021AK13	29752	Push button for hose
242	V521016AK13	29753	Hose union
243	V914034A089	29754	Joint hinge pin
244	V521018AK13	29755	Hinge joint
245	V914033A089	29756	Hinge pin
246	V521017AK13	29757	Hinge
247	V521019AK13	29758	Pipe holder
248	V521020AK13	29759	Pipe holder
249	V521015AK46	29751	Vat
251	V521300AA15	29762	Black bumper
252	V521023AW13	37348	Castor
255	V920060A000	32844	Plug
280	V920065A000	66185	Bung
401	V912350A095	55095	Upper protection
403	V912327A098	29765	Packing
500	V921049AGN1	29766	Hose assembly
501	V921047AK13	29767	Sleeve
502	V921048AK13	29768	Sleeve
503	V921049AN90	29934	Hose
504	V919067AK13	29770	Screw ring
505	V919066AK13	29771	Connector ring
506	V919036AB94	29772	Metal extension tubes
507	V921067AA13	29774	Handle
508	V921050AK13	29775	Adaptor
508	V921069AA13	29785	Adaptor
509	V921072AK13	29776	Adaptor
510	V919101AA13	29777	Brush
511	V919103AK13	29778	Upholstery nozzle
512	V919107AK13	29779	Crevice nozzle
513	V921051AA13	29781	Fluid nozzle
514	V921056A000	29782	Rubber strip
515	V919043AB13	29783	Combination attachment floors/carpets
516	V919043AR14	29781	Thread pick up for brush
600	V921109AG01	29786	Hose set
601	V921107AK13	29787	Revolving sleeve
602	V921108AK13	29788	Fixed sleeve
603	V921109AA13	29789	Hose
604	V921001AK13	29790	Extension tube
605	V921005AK13	29791	Adapter
606	V921004AK13	29792	Crevice nozzle
607	V921003AK13	29793	Upholstery nozzle

# WET & DRY VACUUM CLEANER

■ STOCK No. 29346 230V. ■ PART No. WDV1100.  
63474 110V.

## PARTS DRAWING

05/2001



**Helpline: (023) 8049 4344. Sales Desk: (023) 8049 4333. General Enquiries: (023) 8026 6355.**