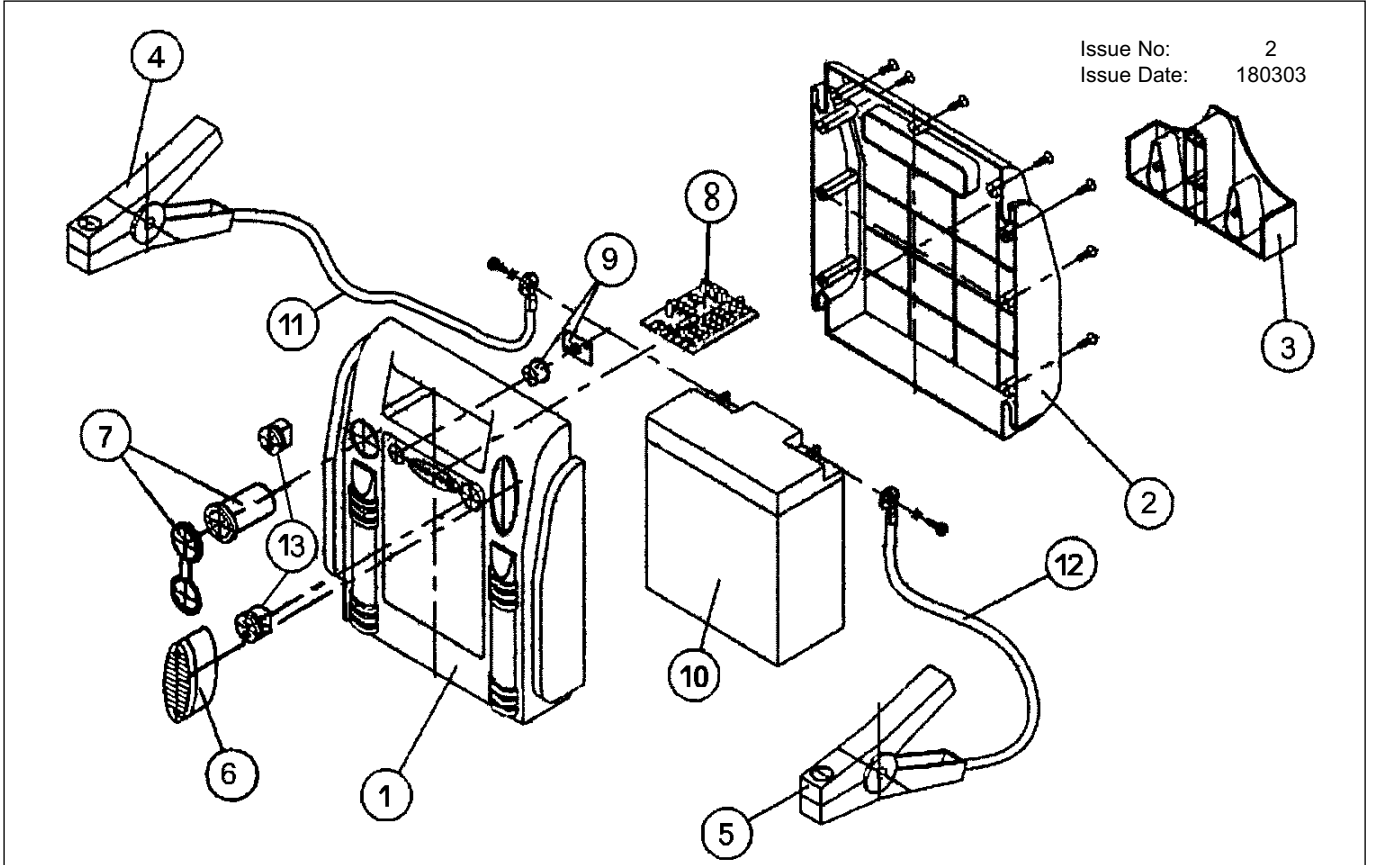


Issue No: 2  
 Issue Date: 180303



Item	Part No.	Description
1	P-89501	Front Body
2	P-89502	Back Body
3	P-89503	Clamp Holder
4	P-89504	Clamp, Positive
5	P-89505	Clamp, Negative
6	P-89506	Work Light Asm.
7	P-89507	12V Outlet Asm.
8	B-89501	Main PCB

Item	Part No.	Description
9	B-89502	PCB
10	E-89501	Battery, 12V 17Ah
11	E-89502	Cable, Positive
12	E-89503	Cable, Negative
13	E-89504	Switch
-	E-89505	AC Charging Adaptor
-	E-89506	DC Charging Cable
-	E-89507	DC Power Cord