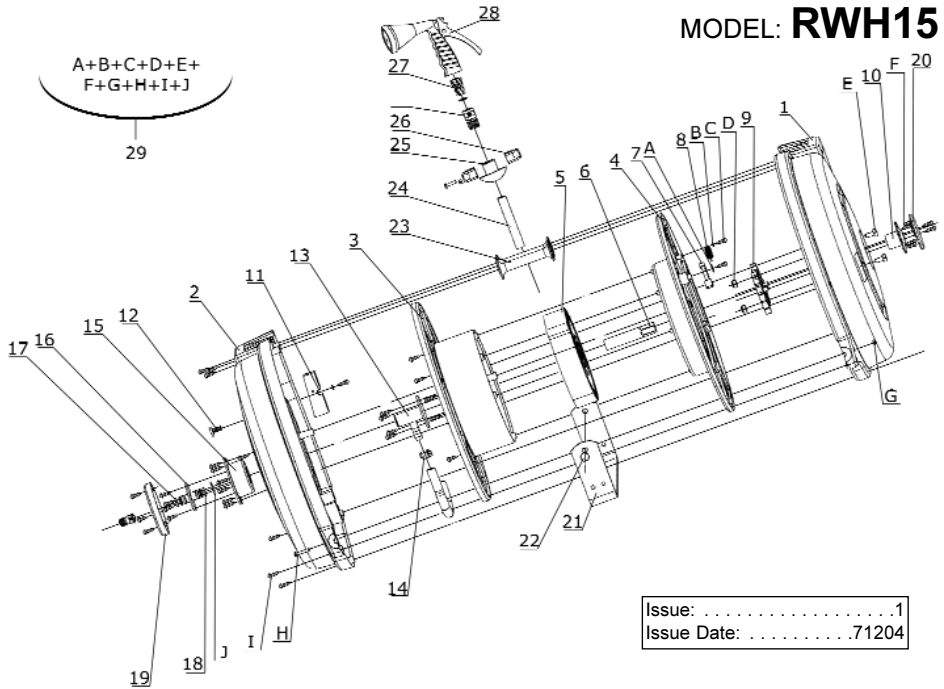


SEALEY

POWER PRODUCTS

PARTS LIST FOR: RETRACTABLE GARDEN HOSE REEL 15MTR

MODEL: RWH15



ITEM	PART NO.	DESCRIPTION	ITEM	PART NO.	DESCRIPTION
01.	RWH15.01	OUTER CASING (RIGHT)	16.	RWH15.21	SWIVEL SPOOL
02.	RWH15.02	OUTER CASING (LEFT)	17.	RWH15.22	FITTING
03.	RWH15.03	DRUM (LEFT)	18.	RWH15.23	O-RING
04.	RWH15.04	DRUM (RIGHT)	19.	RWH15.24	COVER (LEFT)
05.	RWH15.05	SPRING	20.	RWH15.25	COVER (RIGHT)
06.	RWH15.06	AXLE	21.	RWH15.26	BRACKET
07.	RWH15.07	RATCHET PAWL	22.	RWH15.27	PIN
08.	RWH15.09	DOG SPRING	23.	RWH15.29	ROLLER
09.	RWH15.11	LOCKING RING	24.	RWH15.30	HOSE Ø3/8" X 15MTR
10.	RWH15.15	SPRING, ADJUSTABLE BUSHING	25.	RWH15.31	BALL STOP
11.	RWH15.16	STOP BLOCK	26.	RWH15.32	HOSE CLIP
12.	RWH15.17	SCREW	27.	RWH15.37	FITTING FOR SPRAY GUN
13.	RWH15.18	SWIVEL BODY	28.	RWH15.38	SPRAY GUN
14.	RWH15.19	HOSE CLIP	29.	RWH15.RK	REPAIR KIT
15.	RWH15.20	BUSHING			

NOTE: It is our policy to continually improve products and as such we reserve the right to alter data, specifications and component parts without prior notice. **IMPORTANT:** No liability is accepted for incorrect use of this equipment. **WARRANTY:** Guarantee is 12 months from purchase date, proof of which will be required for any claim. **INFORMATION:** For a copy of our latest catalogue and promotions call us on 01284 757525 and leave your full name and address, including postcode.

SEALEY POWER PRODUCTS

Sole UK Distributor, Sealey Group, Bury St. Edmunds, Suffolk.



01284 757500



01284 703534

E-mail: sales@sealey.co.uk

Web: www.sealey.co.uk