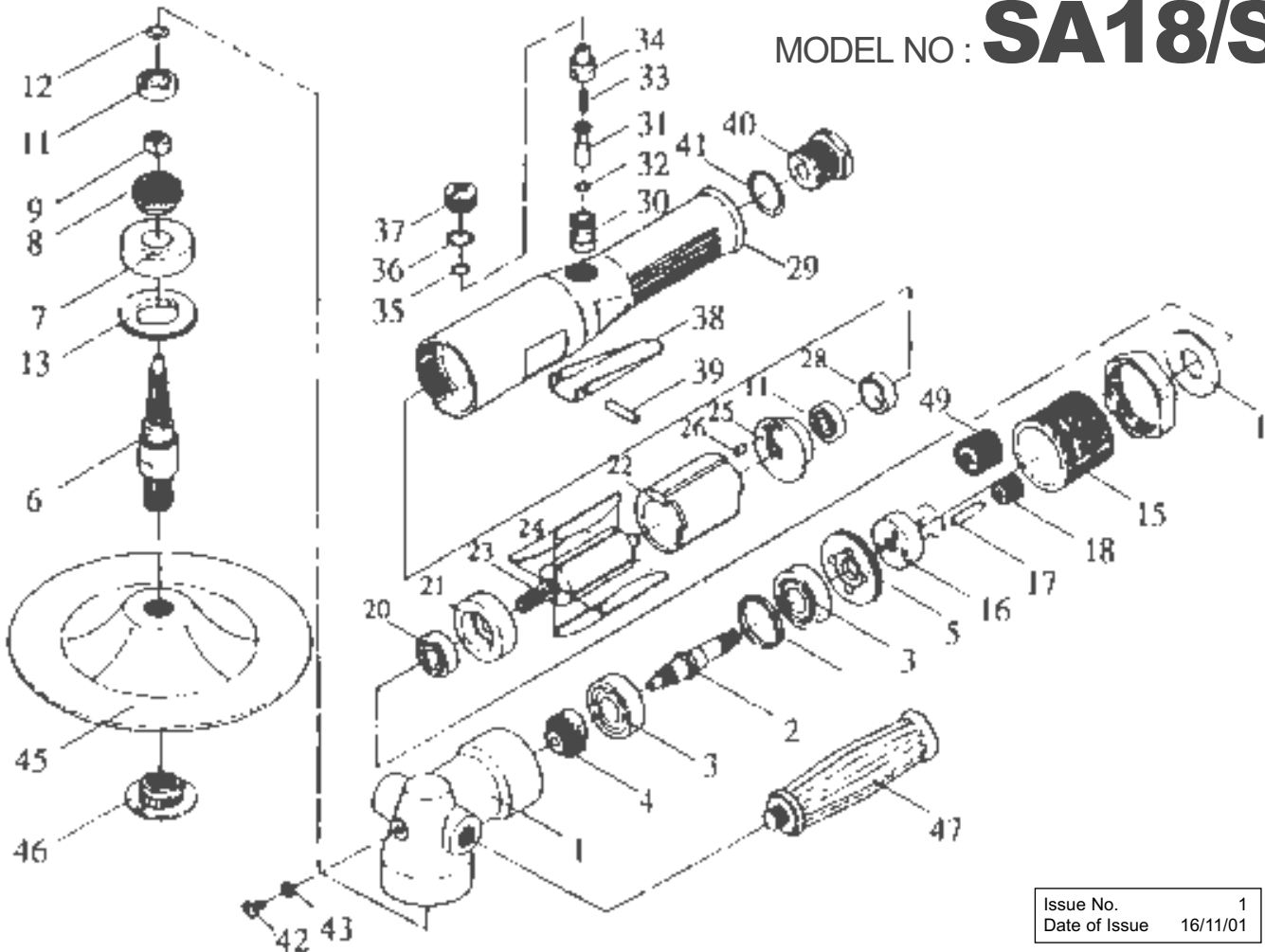


INSTRUCTIONS FOR : AIR OPERATED ANGLE SANDER

MODEL NO : SA18/S



Issue No.	1
Date of Issue	16/11/01

ITEM	PART NO.	DESCRIPTION	ITEM	PART NO.	DESCRIPTION
1	SA18S/01	MAIN SHAFT CASING	26	SA18S/26	SPRING PIN
2	SA18S/02	MAIN SHAFT	28	SA18S/28	BEARING CAP
3	B/6201Z	BEARING	29	SA18S/29	MOTOR HOUSING
4	SA18S/04	BEVEL PINION	30	SA18S/30	BUSHING
5	SA18S/05	BEARING SUPPORT	31	SA18S/31	VALVE STEM
6	SA18S/06	ARBOR	32	SA18S/32	O-RING
7	B/6203-2RS	BEARING	33	SA18S/33	VALVE SPRING
8	SA18S/08	BEVEL GEAR	34	SA18S/34	AIR REGULATOR
9	SA18S/09	SET NUT	35	SA18S/35	O-RING
11	B/608ZZ	BEARING	36	SA18S/36	O-RING
12	SA18S/12	WAVE WASHER	37	SA18S/37	VALVE SCREW
13	SA18S/13	ARBOUR BEARING CUP	38	SA18S/38	THROTTLE LEVER
15	SA18S/15	INTERNAL GEAR	39	SA18S/39	SPRING PIN
16	SA18S/16	IDLER SPINDLE	40	SA18S/40	AIR INLET BUSH
17	SA18S/17	NEEDLE ROLLER 22.3 X 4mm	41	SA18S/41	O-RING
18	SA18S/18	IDLER GEAR	42	SA18S/42	PLUG
19	SA18S/19	WASHER	43	SA18S/43	O-RING
20	B/6000Z	BEARING	45	PTC/BP7/5/8	BACKING PAD,7",5/8"THREAD
21	SA18S/21	FRONT END PLATE	46	PTC/LN/5/8	PAD NUT,5/8" FOR PTC/BP7
22	SA18S/22	CYLINDER	47	SA18S/47	HANDLE
23	SA18S/23	ROTOR	48	SA18S/48	SPACER COLLAR
24	SA18S/24	ROTOR BLADE	49	SA18S/49	SUN GEAR
25	SA18S/25	REAR END PLATE			

NOTE: It is our policy to continually improve products and as such we reserve the right to alter data, specifications and component parts without prior notice. **IMPORTANT:** No liability is accepted for incorrect use of this equipment. **WARRANTY:** Guarantee is 12 months from purchase date. proof of which will be required for any claim. **INFORMATION:** Call us for a copy of our latest catalogue and promotions on 01284 757525 and leave your full name and address including your postcode.



Sole UK Distributor, Sealey Group, Bury St. Edmunds, Suffolk.



01284 757500



01284 703534

E-mail: sales@sealey.co.uk