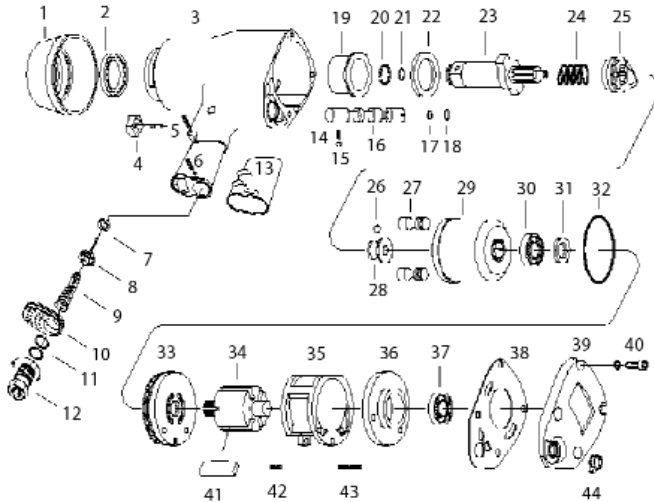


Parts List For: SA6.V2



Issue No:	1
Date Issued:	111005

Item	Part No	Description	Item	Part No	Description
1	SA6.V2-01	PROTECTING RUBBER COVER	23	SA6.V2-23	ANVIL
2	SA6.V2-02	OIL SEAL	24	SA6.V2-24	SPRING
3	SA6.V2-03	HOUSING	25	SA6.V2-25	CAM
4	SA6.V2-04	TRIGGER	26	SA6.V2-26	STEEL BALL
5	SA6.V2-05	SPRING PIN	27	SA6.V2-27	HAMMER PIN
6	SA6.V2-06	SPRING PIN	28	SA6.V2-28	SPINDLE GUIDE
7	SA6.V2-07	RETAINER	29	SA6.V2-29	HAMMER CAGE
8	SA6.V2-08	VALVE STEM	30	SA6.V2-30	BALL BEARING
9	SA6.V2-09	SPRING	31	SA6.V2-31	OIL SEAL
10	SA6.V2-10	EXHAUST DEFLECTOR	32	SA6.V2-32	O-RING
11	SA6.V2-11	O-RING	33	SA6.V2-33	FRONT END PLATE
12	SA6.V2-12	REVERSE HOSE ADAPTOR	34	SA6.V2-34	ROTOR
13	SA6.V2-13	RUBBER GRIP	35	SA6.V2-35	CYLINDER
14	SA6.V2-14	SPRING	36	SA6.V2-36	REAR END PLATE
15	SA6.V2-15	STEEL BALL	37	SA6.V2-37	BALL BEARING
16	SA6.V2-16	REVERSE VALVE	38	SA6.V2-38	REAR GASKET
17	SA6.V2-17	O-RING	39	SA6.V2-39	REAR COVER
18	SA6.V2-18	O-RING	40	SA6.V2-40	SCREW
19	SA6.V2-19	BUSHING	41	SA6.V2-41	ROTOR BLADE
20	SA6.V2-20	COLLAR	42	SA6.V2-42	SPRING PIN
21	SA6.V2-21	O-RING	43	SA6.V2-43	SPRING PIN
22	SA6.V2-22	WASHER	44	SA6.V2-44	REGULATOR KNOB

NOTE: It is our policy to continually improve products and as such we reserve the right to alter data, specifications and component parts without prior notice. **IMPORTANT:** No liability is accepted for incorrect use of this equipment. **WARRANTY:** Guarantee is 12 months from purchase date, proof of which will be required for any claim. **INFORMATION:** For a copy of our latest catalogue and promotions call us on 01284 757525 and leave your full name and address, including postcode.