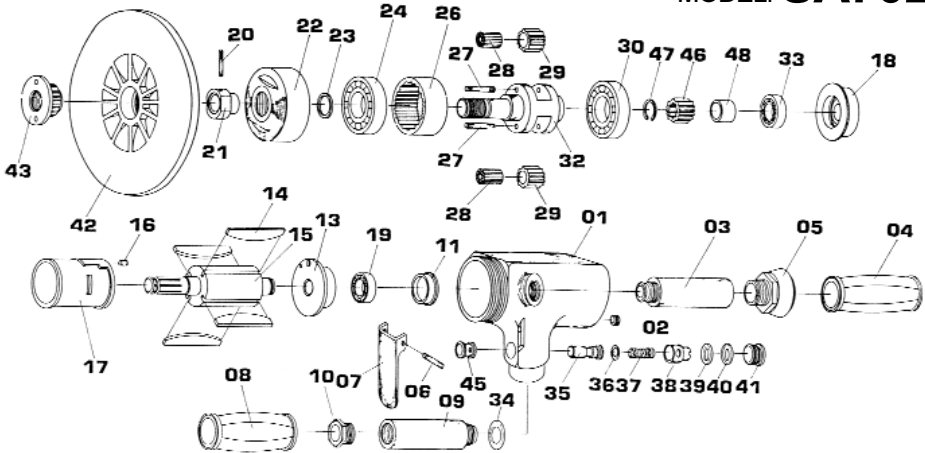


PARTS LIST FOR:

180mm VERTICAL AIR SANDER

MODEL: **SA702**

Issue: 2
Issue Date:280405



ITEM	PART NO.	DESCRIPTION	ITEM	PART NO.	DESCRIPTION
01.	SA702/01	MOTOR HOUSING	26.	SA702/26	INTERNAL GEAR
02.	SA702/02	SET SCREW	27.	SA702/27	NEEDLE ROLLER
03.	SA702/03	EXHAUST HANDLE	28.	SA702/28	NEEDLE ROLLER
04.	SA702/04	HANDLE GRIP (EXHAUST)	29.	SA702/29	GEAR
05.	SA702/05	EXHAUST DEFLECTOR	30.	SA702/30	BALL BEARING
06.	SA702/06	SPRING PIN	32.	SA702/32	CAGE
07.	SA702/07	THROTTLE LEVER	33.	SA702/33	BALL BEARING
08.	SA702/08	HANDLE GRIP (INLET)	34.	SA702/34	O-RING
09.	SA702/09	INLET HANDLE	35.	SA702/35	VALVE STEM
10.	SA702/10	AIR INLET BUSHING	36.	SA702/36	O-RING
11.	SA702/11	BEARING CAP	37.	SA702/37	VALVE SPRING
13.	SA702/13	REAR END PLATE	38.	SA702/38	AIR REGULATOR
14.	SA702/14	ROTOR BLADE	39.	SA702/39	O-RING
15.	SA702/15	ROTOR	40.	SA702/40	O-RING
16.	SA702/16	SPRING PIN	41.	SA702/41	VALVE SCREW
17.	SA702/17	CYLINDER	42.	SA702/42	PAD
18.	SA702/18	FRONT END PLATE	43.	SA702/43	PAD NUT
19.	SA702/19	BALL BEARING	45.	SA702/45	BUSHING
20.	SA702/20	SPRING PIN	46.	SA702/46	SUN GEAR
21.	SA702/21	COLLAR	47.	SA702/47	EXTERNAL STOP RING
22.	SA702/22	CLAMP NUT	48.	SA702/48	SPACER
23.	SA702/23	OIL SEAL (V-MODEL)	-	SA702/49	WRENCH
24.	SA702/24	BALL BEARING	-	SA702/50	WRENCH

NOTE: It is our policy to continually improve products and as such we reserve the right to alter data, specifications and component parts without prior notice. **IMPORTANT:** No liability is accepted for incorrect use of this equipment. **WARRANTY:** Guarantee is 12 months from purchase date, proof of which will be required for any claim. **INFORMATION:** For a copy of our latest catalogue and promotions call us on 01284 757525 and leave your full name and address, including postcode.



Sole UK Distributor, Sealey Group, Bury St. Edmunds, Suffolk.

01284 757500

01284 703534

E-mail: sales@sealey.co.uk

Web: www.sealey.co.uk