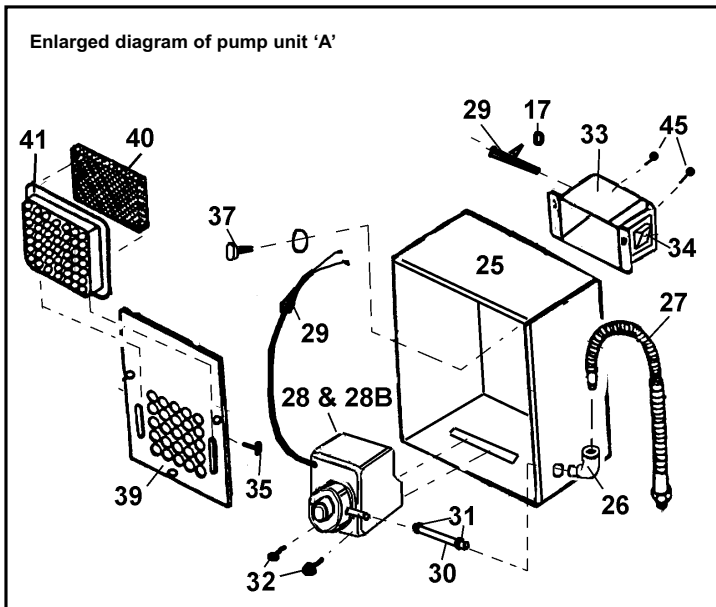
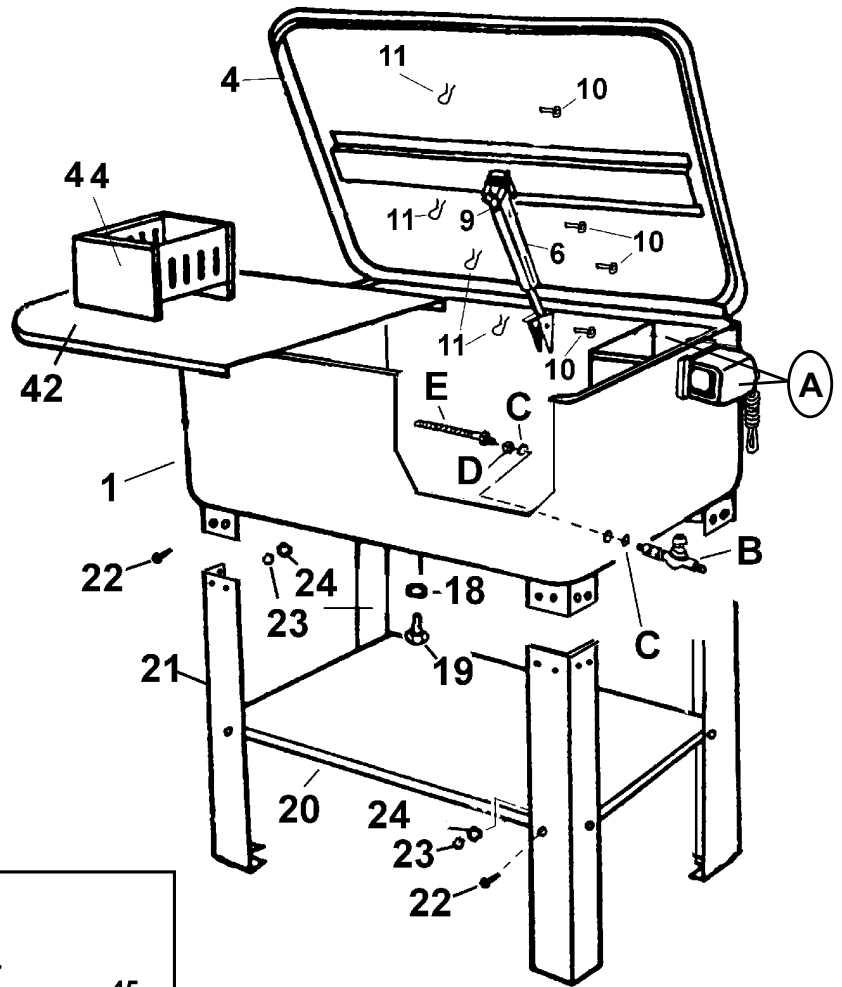


ITEM	PART NO.	DESCRIPTION
1	SM20TX/01	TANK
4	SM19/04	COVER
6/9	SM19/06-09	SAFETY LEVER & PLATE ASM.
10	SM19/10	PIN
11	SM19/11	PIN, SPRING
17	SM19/17	NUT
18	SM19/18	O-RING
19	SM19/19	PLUG
20	SM19/20	SHELF
21	SM19/21	LEG
22	SM19/22	SCREW, PAN HEAD
23	SM19/23	WASHER, SPRING
24	SM19/24	NUT
25	SM19/25	HOUSING, PUMP
26	SM19/26	ELBOW
27	SM19/27	PIPE, FLEXIBLE
28	SM19/28	PUMP
28B	SM19/28-B	BRACKET, PUMP
29	SM19/29	GROMMET, CABLE
30	SM19/30	HOSE
31	SM19/31	CLAMP, HOSE
32	SM19/32	SCREW, S/TAPPING
33	SM19/33	HOUSING, SWITCH
34	SM19/34	SWITCH
35	SM19/35	SCREW, SELF TAPPING
37	SM19/37	SCREW, PAN HEAD
39	SM19/39	COVER, PUMP HOUSING
40	SM19/40	FILTER
41	SM19/41	COVER, FILTER
42	SM19/42	SHELF, INTERNAL
44	SM19/44	BASKET
45	SM19/45	SCREW, S/TAPPING
50	SM20TX/TURBO	TURBO VALVE ASM. (B + 2C + D + E)



Issue No:- 1
 Issue Date:- 160404

NOTE: It is our policy to continually improve products and as such we reserve the right to alter data, specifications and component parts without prior notice.
IMPORTANT: No liability is accepted for incorrect use of this product.
WARRANTY: Guarantee is 12 months from purchase date, proof of which will be required for any claim.
INFORMATION: For a copy of our latest catalogue and promotions call us on 01284 757525 and leave your full name and address, including postcode.