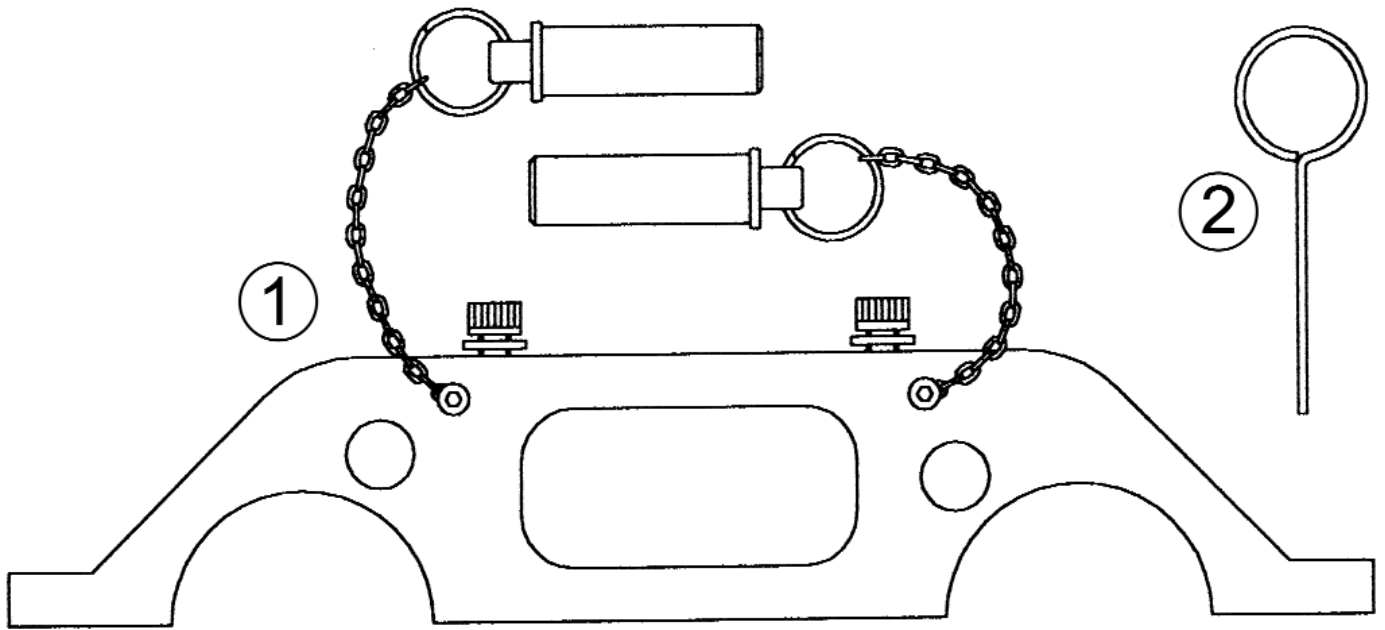


Issue:1
 Issue Date:210205



ITEM	PART NO.	DESCRIPTION
01.	VS4767	CAMSHAFT SETTING TOOL
02.	VS4593/1B	TENSIONER RETAINING PIN

NOTE: It is our policy to continually improve products and as such we reserve the right to alter data, specifications and component parts without prior notice. **IMPORTANT:** No liability is accepted for incorrect use of this equipment. **WARRANTY:** Guarantee is 12 months from purchase date, proof of which will be required for any claim. **INFORMATION:** For a copy of our latest catalogue and promotions call us on 01284 757525 and leave your full name and address, including postcode.